

# 4MP Fixed Lens IR PT Camera

IPC744SR5-PF40 (60)-32G



## Key Features

### PTZ

- Precision motor with accuracy deviation less than 0.1 degree.
- Pan range 250°, tilt range -50° to 50°
- Pan speed up to 30°/s, tilt speed up to 10°/s

### Optics

- Smart IR, up to 50m (164 ft) IR distance
- IR anti-reflection window to increase the infrared transmittance
- Day/night functionality

### Compression

- H.265, H.264, MJPEG
- Embedded smart algorithm
- Triple streams
- Customized OSD

### Network

- ONVIF Conformance

### Structure

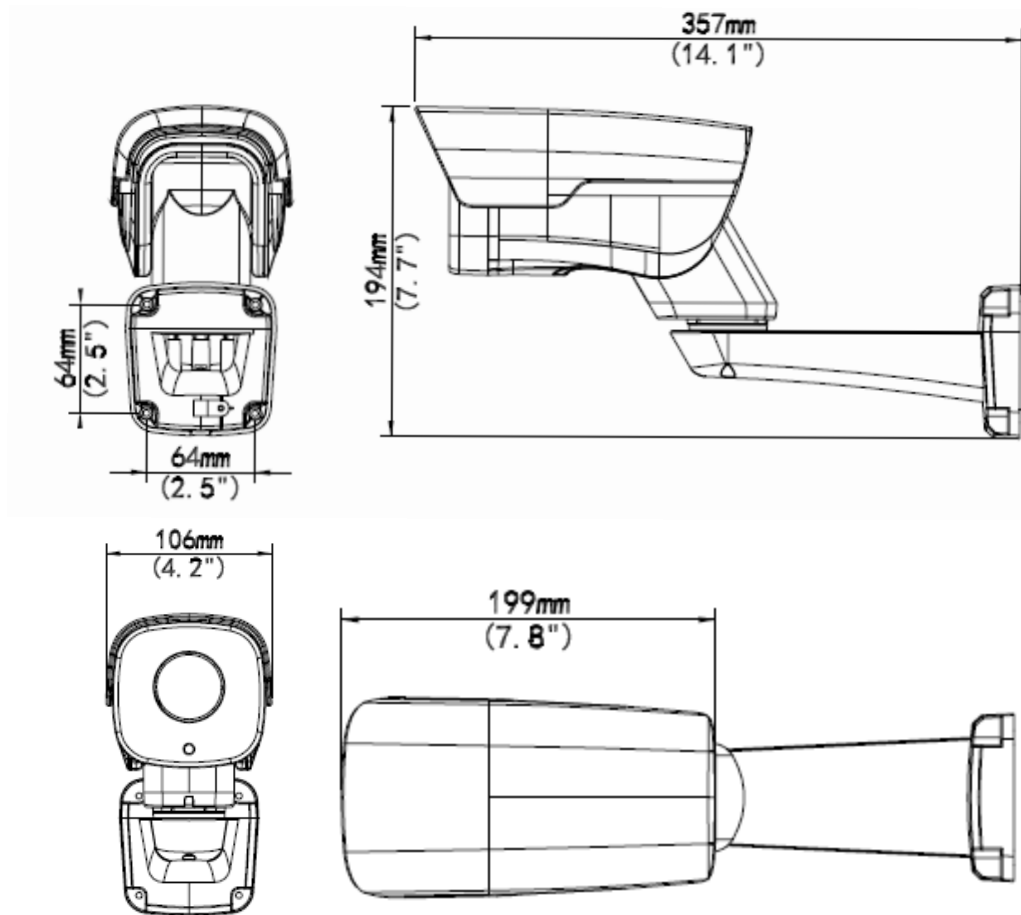
- Support PoE power supply
- Wide temperature range: -35°C to +60°C (-31°F to +140°F)
- Wide voltage range of ±25%
- IP66

## Specifications

Camera	IPC744SR5-PF40-32G	IPC744SR5-PF60-32G
Sensor	1/3", 4 megapixel, progressive scan CMOS	
Lens	4.0mm@F1.8	6.0mm@F1.8
Shutter	Auto/Manual, 1/6s ~ 1/100000s	
Minimum Illumination	Color: 0.02 Lux (F1.8, AGC ON) 0 Lux with IR on	
IR Range	50m (164 ft) IR range	
Day/Night	IR-cut filter with auto switch (ICR)	
S/N	>55dB	
WDR	Digital	
Noise Reduction	2D/3D	
<b>Video</b>		
Max. Resolution	2592×1520	
Video Compression	H.265, H.264, MJPEG	
Frame Rate	4MP (2592×1520): Max. 20 fps; 4MP (2560×1440): Max. 25 fps 3MP (2048×1520): Max. 30 fps; 1080P (1920×1080): Max. 30 fps	
Video Streaming	Triple streams	
ROI	Supported	
HLC	Supported	
Evaluative Metering	Supported	
OSD	Up to 8 OSDs	
Privacy Mask	Supported	
<b>Smart</b>		
Behavior Detection	Intrusion, crossing line, motion detection	
Exception Detection	Audio detection	
Intelligent Identification	Face detection	
Statistical Analysis	People counting	
<b>Audio</b>		
Audio Compression	G.711	
Two-way Audio	Supported	
<b>Storage</b>		
Edge Storage	Built-in 32 GB eMMC	
<b>Network</b>		
Protocol	L2TP, IPv4, IGMP, ICMP, ARP, TCP, UDP, DHCP, PPPoE, RTP, RTSP, RTCP, DNS, DDNS, NTP, FTP, UPnP, HTTP, HTTPS, SMTP, SIP, 802.1x	
Compatibility	ONVIF, API	
<b>Structure</b>		
Pan Range	250°	
Pan Speed	0.1°/s ~ 15°/s	
	Preset speed: 15°/s	

Tilt Range	-50° ~ 50°
Tilt Speed	0.1°/s ~5°/s
	Preset speed: 5°/s
Number of Presets	400
Patrol	Up to 16 patrols, up to 32 presets per patrol <b>Note:</b> <i>The total number of patrols and patterns is 16.</i>
<b>Interface</b>	
Audio I/O	3.5 mm connector
	Input: impedance 35 kΩ; amplitude 2 V [p-p]
	Output: impedance 600 Ω; amplitude 2 V [p-p]
Alarm I/O	2 / 1
Network	10M/100M adaptive Ethernet
<b>General</b>	
Power	12 V DC±25%, PoE (IEEE802.3at)
	Power consumption: Max. 17.23 W
Dimensions	357 mm × 106 mm × 194 mm (14.1" × 4.2" × 7.7")
Weight	1.16 kg (2.6 lb)
Working Environment	-35°C to +60°C (-31°F to 140°F), ≤ 95% RH
Ingress Protection	IP66

## Dimensions



## Accessories

Installation mode	Accessories	Description
Wall mount	\	Mounting pedestal is included in the Product package
Ceiling mount	\	Mounting pedestal is included in the Product package

### Zhejiang Uniview Technologies Co., Ltd.

South Tower, Building 10, Wanlun Science Park, 88 Jiangling Road, Hangzhou, P.R.China 310051

Email: [overseasbusiness@uniview.com](mailto:overseasbusiness@uniview.com); [globalsupport@uniview.com](mailto:globalsupport@uniview.com)

<http://www.uniview.com>

©2016-2017 Zhejiang Uniview Technologies Co., Ltd. All rights reserved.

\*Product specifications and availability are subject to change without notice.